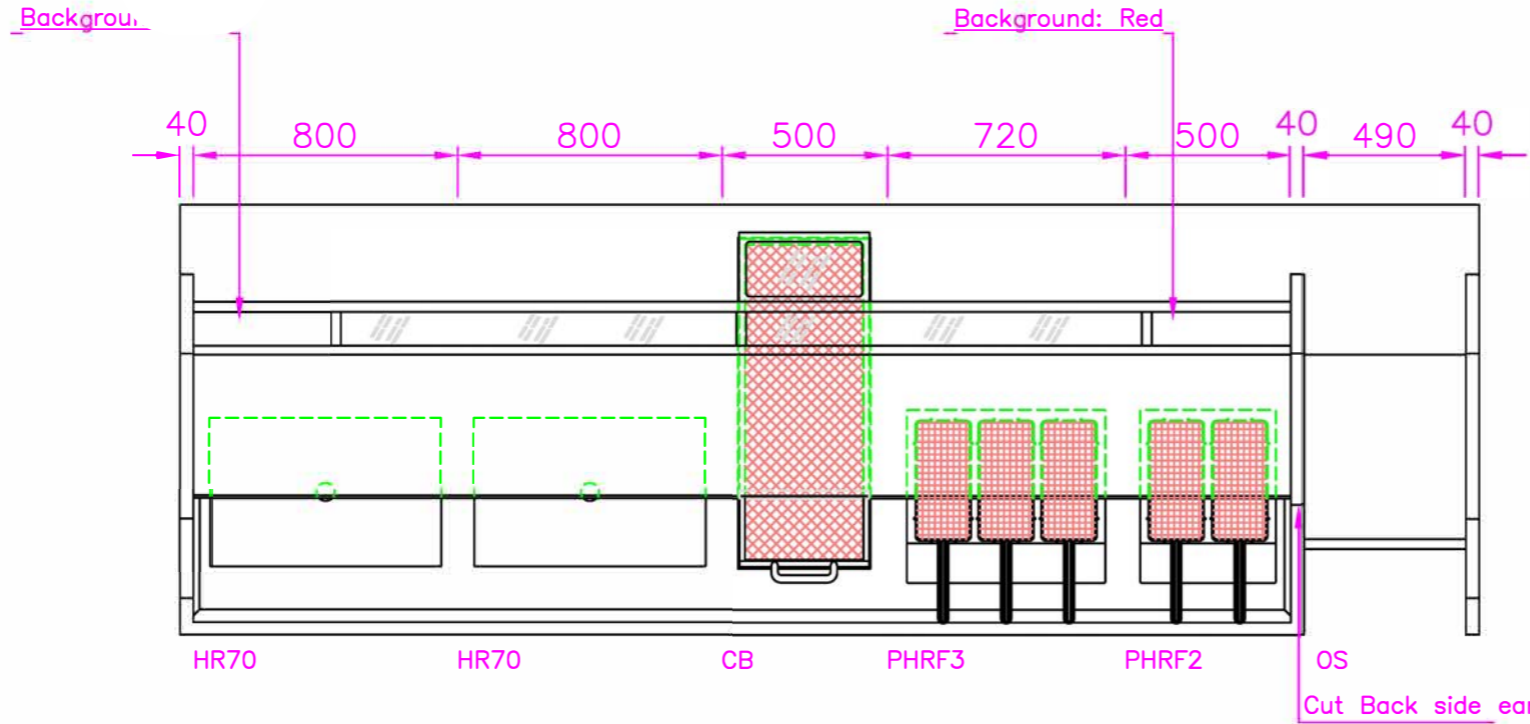


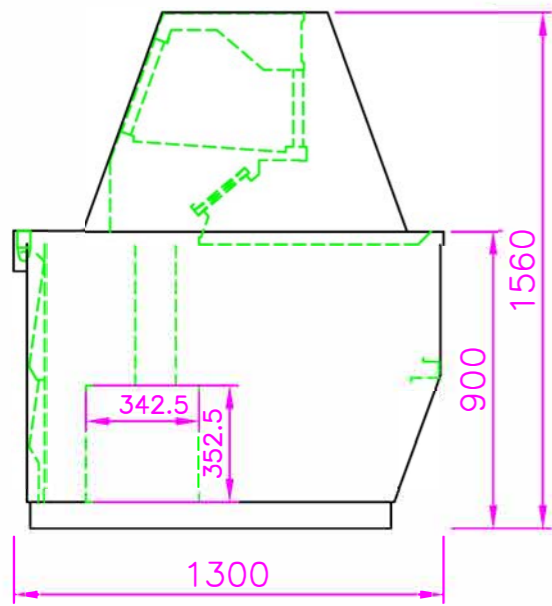
Ref foto's in ridder bij aanvraag 1708-39471- Vorige oven klant-00

Logo:

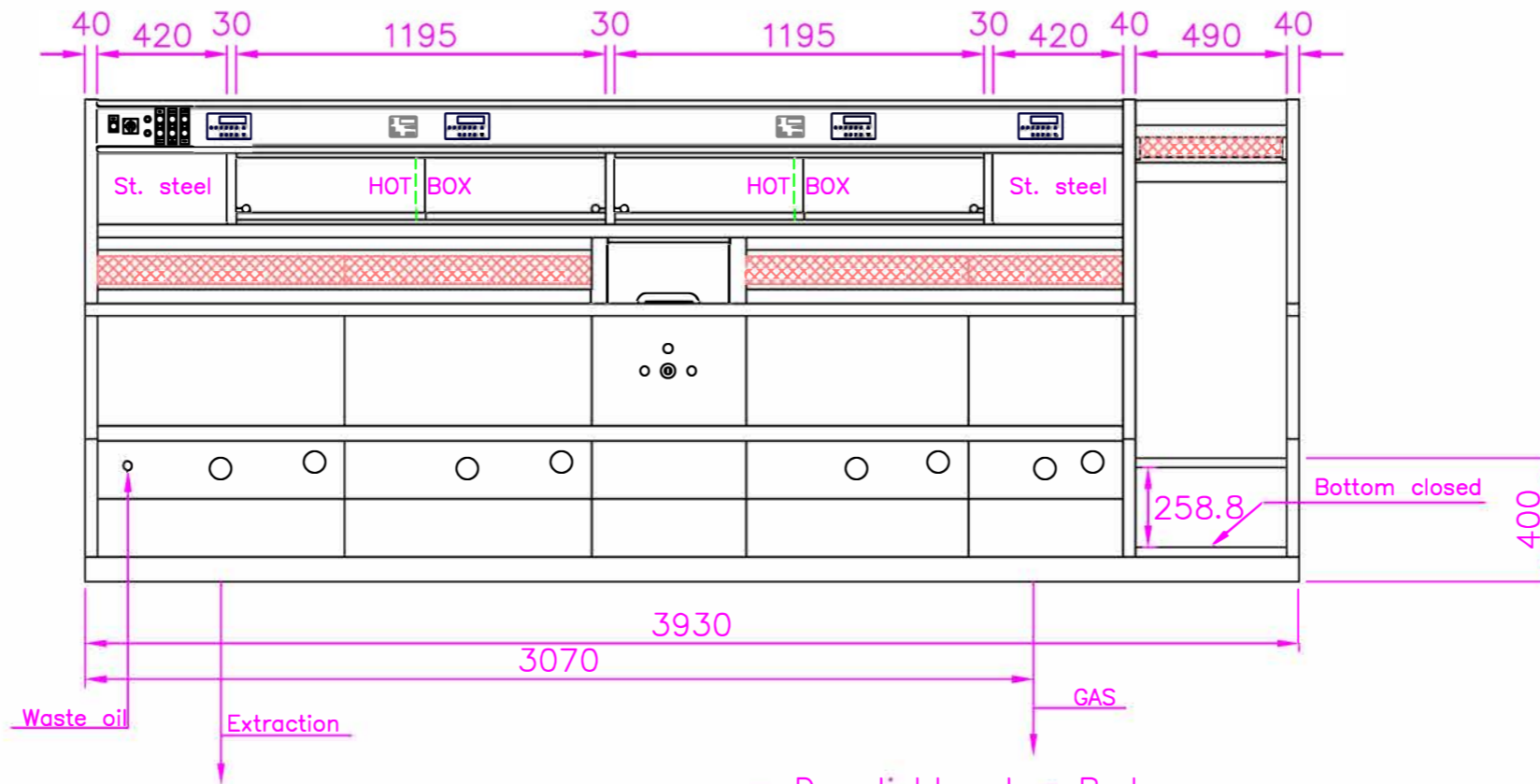
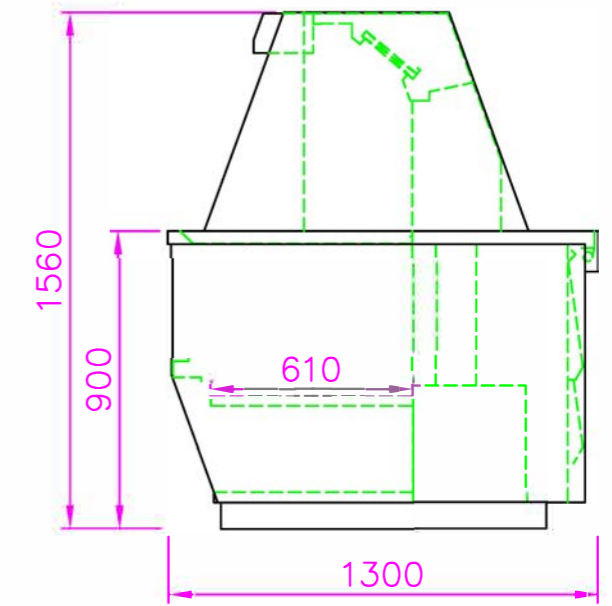
Electrical information of range:	
3	circuit breaker(s) of 230 V
0	circuit breaker(s) of 400 V 16A
0	circuit breaker(s) of 400 V 32A
0	circuit breaker(s) of 400 V 63A
0	separate cable(s) of 400 V
Other specifications:	
Energy	: -
Position electric boxes	: In Drawer
Position gas connection	: Below module 5
Position extraction	: Below module 1
Position waste oil drain	: Front



Island range Jubilee (front)



Island range Jubilee (front)



- Downlight color: Red
- Including Carlson oil filtration system

Code	Description	Voltage	P elek/kW	P Gas/kW
HR70	H.E. flat bottom 700x450mm	230V	0.05	25.00
HR70	H.E. flat bottom 700x450mm	230V	0.05	25.00
CB	Chipbox	230V	2.20	
PHRF3	H.E. 3 basket chippan	230V	0.10	35.00
PHRF2	H.E. 2 basket chippan	230V	0.10	30.00
OS	Open space			
	Cabinets	230V	1.80	
	Range	230V	2.50	
	Total			120.00

Copyright reserved in accordance with the law Drawing is not to scale and can be subject to change	Drawing no.: 1708-39471-6		City:	Agent: KFE
	Salesman:			QBTEC Middellandse Zee 9 3446 CG, Woerden The Netherlands Tel: +31 (0)348-475555 Fax: +31 (0)348-418495 www.qbtec.nl
	Date: 4-10-2017			
	Drawn by: EtS			
Tol: 5mm		Approval:		